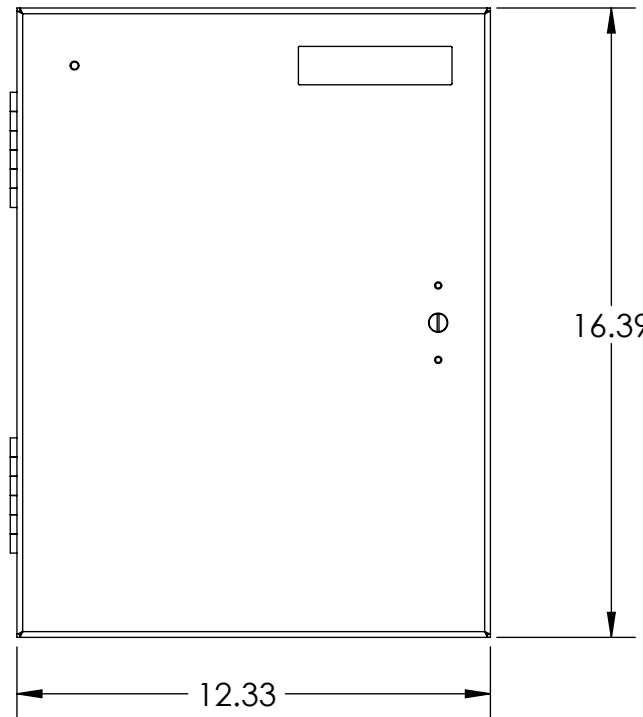
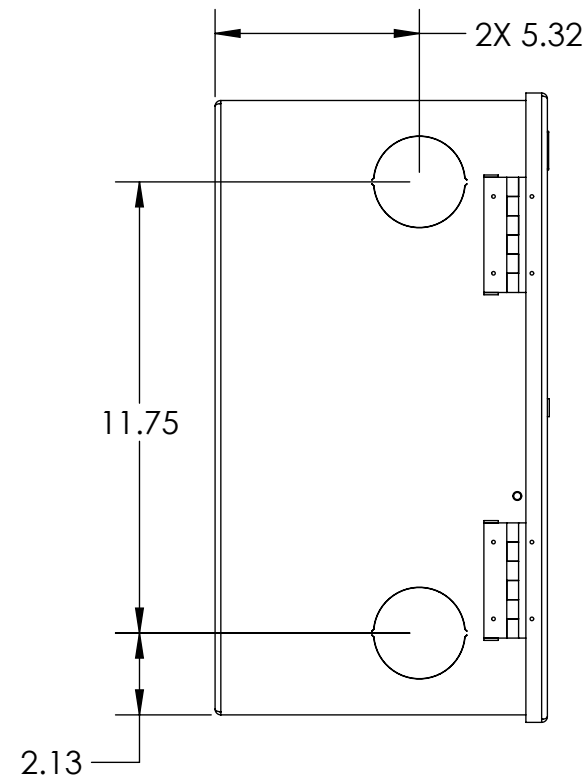
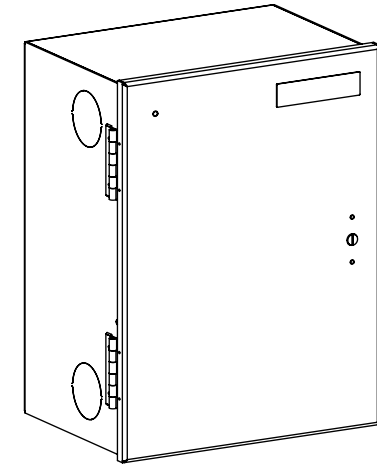
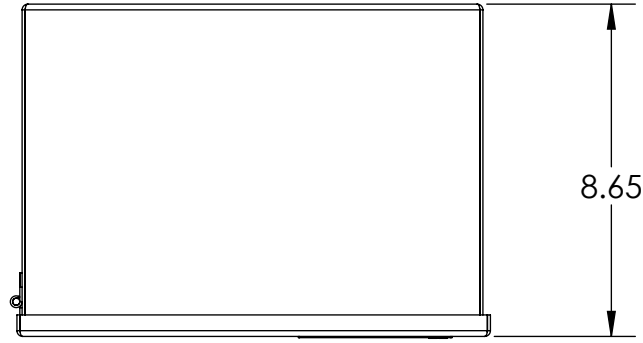
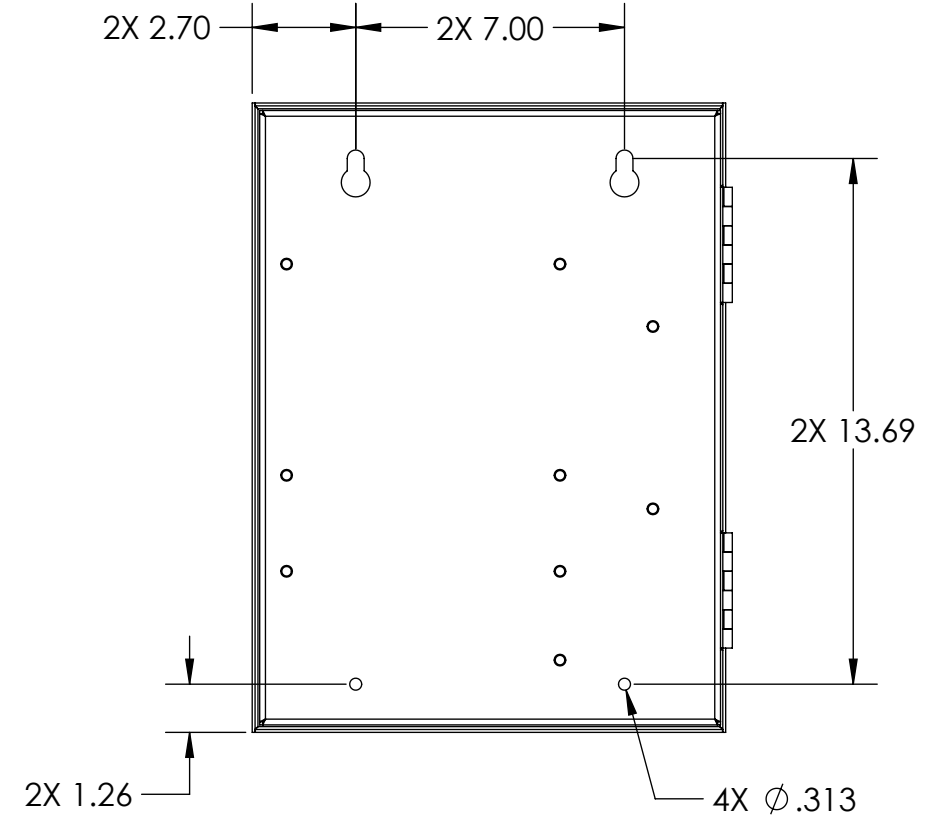
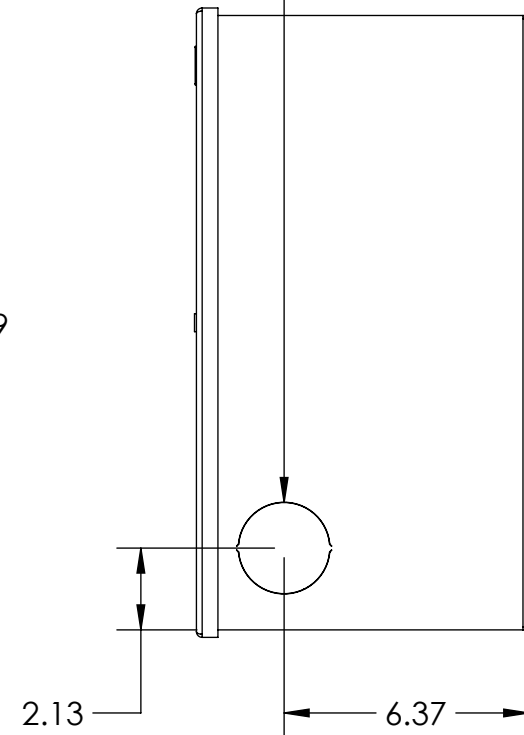


NOTES:
1. FOR REFERENCE ONLY

REVISIONS				
DCN	REV	DESCRIPTION	DATE	APPROVED
107316	A	INITIAL RELEASE	7/11/2017	ERS



2" NPT CONDUIT OPENINGS
3 LOCATIONS



SENS
STORED ENERGY SYSTEMS
 1840 INDUSTRIAL CIRCLE
 LONGMONT, CO 80501
 303-678-7500
 WWW.SENS-USA.COM

PROPRIETARY AND CONFIDENTIAL
 THE INFORMATION CONTAINED IN THIS DRAWING IS THE SOLE
 PROPERTY OF STORED ENERGY SYSTEMS, LLC. ANY
 REPRODUCTION IN PART OR AS A WHOLE WITHOUT THE WRITTEN
 PERMISSION OF STORED ENERGY SYSTEMS, LLC. IS PROHIBITED.

UNLESS OTHERWISE SPECIFIED:
 DIMENSIONS ARE IN **INCHES**
 DEFAULT TOLERANCES:
 ANGLES ± 1°
 TWO PLACE DECIMAL ± .015
 THREE PLACE DECIMAL ± .005
 DO NOT SCALE DRAWING

	NAME	DATE
DRAWN	ERS	7/11/2017
CHECKED		

THIRD ANGLE PROJECTION

 DIMENSIONS & TOLERANCES
 PER ASME Y14.5 - 2009

DESCRIPTION		REV	
2DCAD, BBS1600, STANDARD		A	
SIZE	DOCUMENT NUMBER	SHEET 1 OF 1	
B	2DCAD-BBS1600-STD		