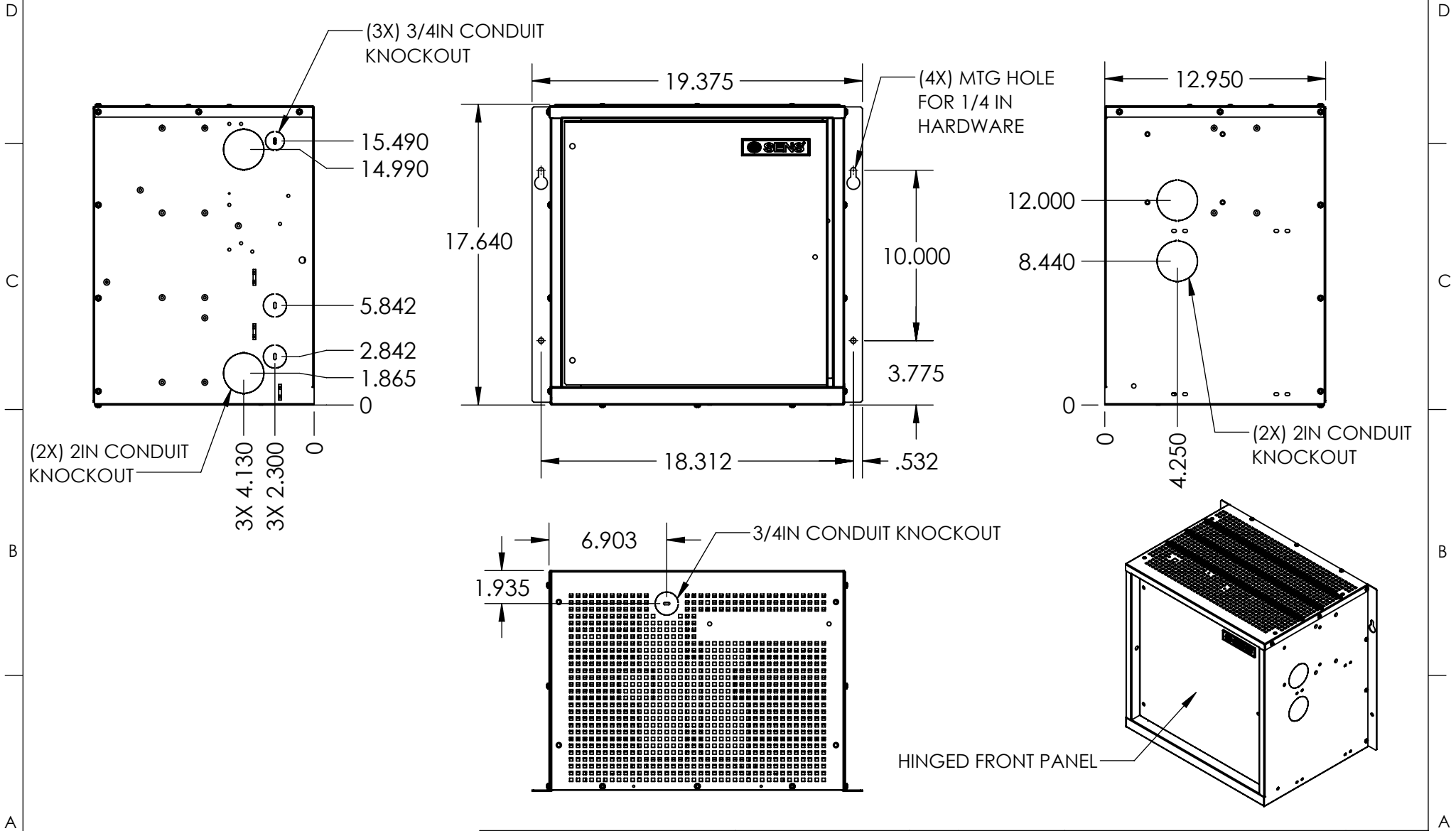



NOTES:

- ENCLOSURE CONSTRUCTION: 16 GA 304 STAINLESS STEEL.
- WEIGHT: 55LBS [24.9KG]
- DRAWING IS FOR REFERENCE ONLY

REV	DCN	DESCRIPTION	DATE	AUTHOR
A	108573	INITIAL RELEASE	4/24/2024	SLC



 <p>SENS STORED ENERGY SYSTEMS 1840 INDUSTRIAL CIRCLE LONGMONT, CO 80501 303-678-7500 WWW.SENS-USA.COM</p> <p>PROPRIETARY AND CONFIDENTIAL: THE INFORMATION CONTAINED IN THIS DRAWING IS THE SOLE PROPERTY OF STORED ENERGY SYSTEMS, LLC. ANY REPRODUCTION IN PART OR AS A WHOLE WITHOUT THE WRITTEN PERMISSION OF STORED ENERGY SYSTEMS, LLC, IS PROHIBITED.</p>	<p>UNLESS OTHERWISE SPECIFIED FOR ALL SHEETS: DIMENSIONS ARE IN INCHES. DO NOT SCALE DRAWING. MOST REVISED ITEMS INDICATED IN BLUE. DEFAULT TOLERANCES:</p> <p>±1/16" ASSEMBLY TOLERANCE</p>	<p>ORIGINAL AUTHOR: SCHAMBERS</p> <p>RELEASE DATE: 4/24/2024</p> <p>SHEET FORMAT SIZE: A</p> <p>THIRD ANGLE PROJECTION</p> <p>DIMENSIONS & TOLERANCES PER ASME Y14.5 - 2009</p>	<p>PART NUMBER: 2DCAD-BBS4800-STD</p> <p>DESCRIPTION: BEST BATTERY SELECTOR, 4800 AMP DIODES</p>	<p>REVISION: A</p> <p>SHEET: 1 OF 2</p>
--	---	---	--	---

5

4

3

2

1

D

D

C

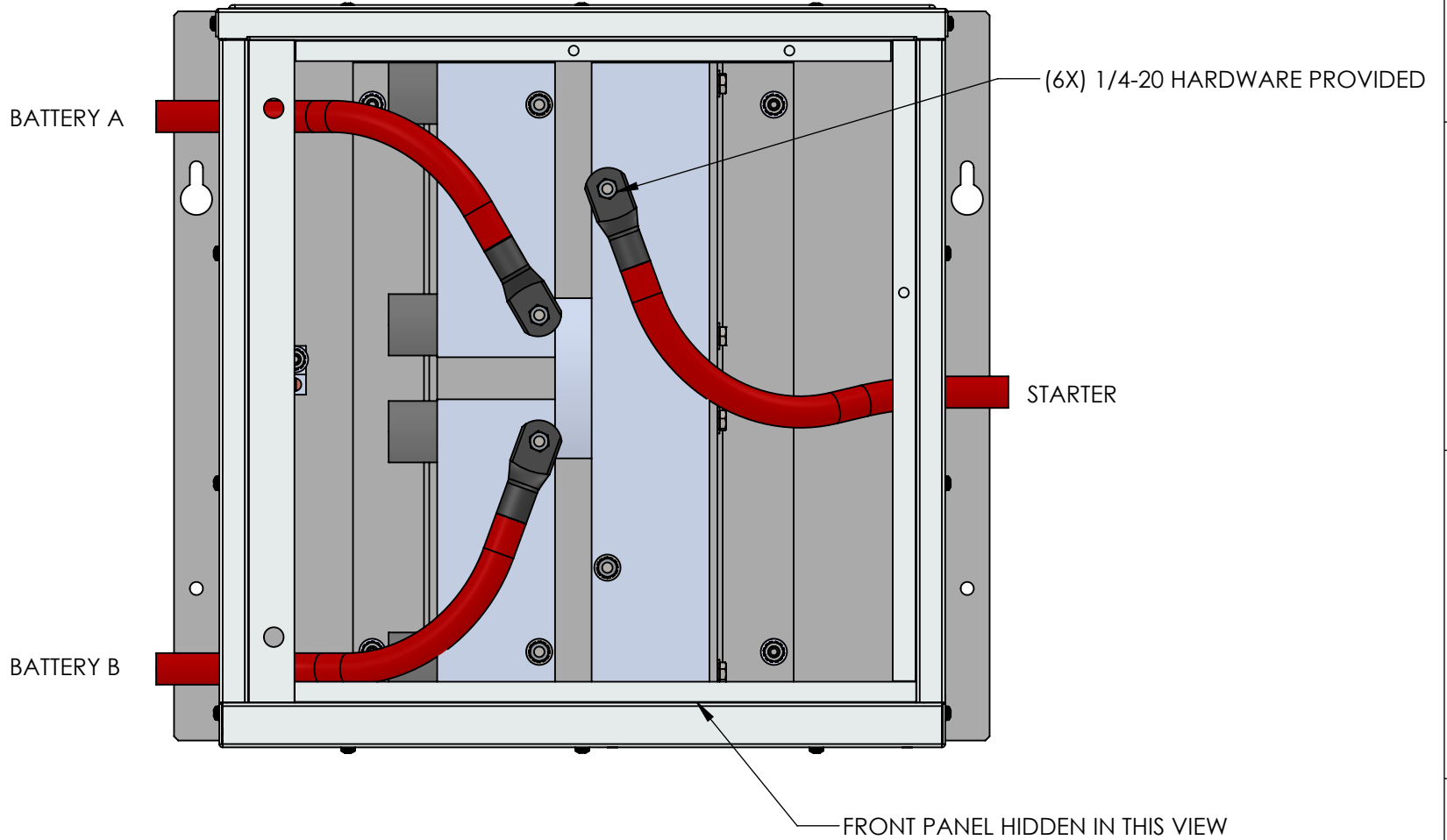
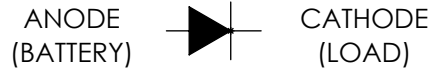
C

B

B

A

A



SENS
STORED ENERGY SYSTEMS
 1840 INDUSTRIAL CIRCLE LONGMONT, CO 80501
 303-678-7500 WWW.SENS-USA.COM

PROPRIETARY AND CONFIDENTIAL: THE INFORMATION CONTAINED IN THIS DRAWING IS THE SOLE PROPERTY OF STORED ENERGY SYSTEMS, LLC. ANY REPRODUCTION IN PART OR AS A WHOLE WITHOUT THE WRITTEN PERMISSION OF STORED ENERGY SYSTEMS, LLC. IS PROHIBITED.

UNLESS OTHERWISE SPECIFIED FOR ALL SHEETS: DIMENSIONS ARE IN INCHES. DO NOT SCALE DRAWING.
 DEFAULT TOLERANCES:
±1/16" ASSEMBLY TOLERANCE

ORIGINAL AUTHOR:	SCHAMBERS
RELEASE DATE:	4/24/2024
SHEET FORMAT SIZE:	A
THIRD ANGLE PROJECTION	
DIMENSIONS & TOLERANCES PER ASME Y14.5 - 2009	

PART NUMBER:	2ZCAD-BBS4800-STD
DESCRIPTION:	BEST BATTERY SELECTOR, 4800 AMP DIODES

REVISION:	A
SHEET:	2 OF 2

5

4

3

2

1