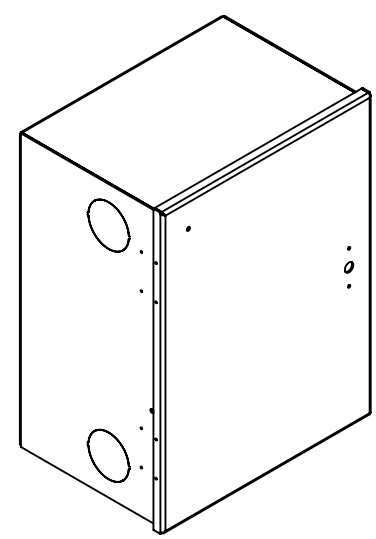
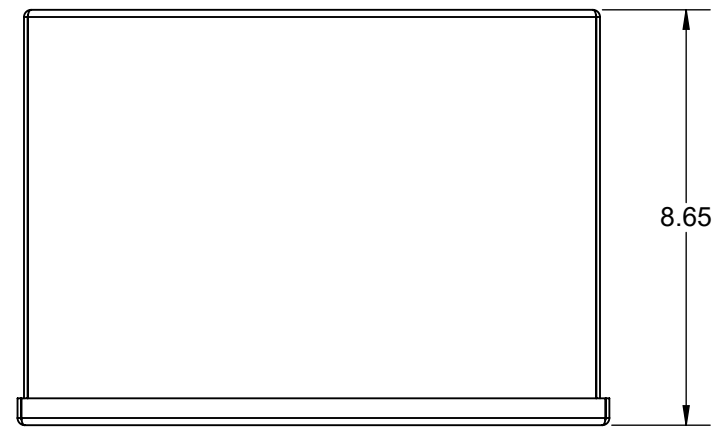
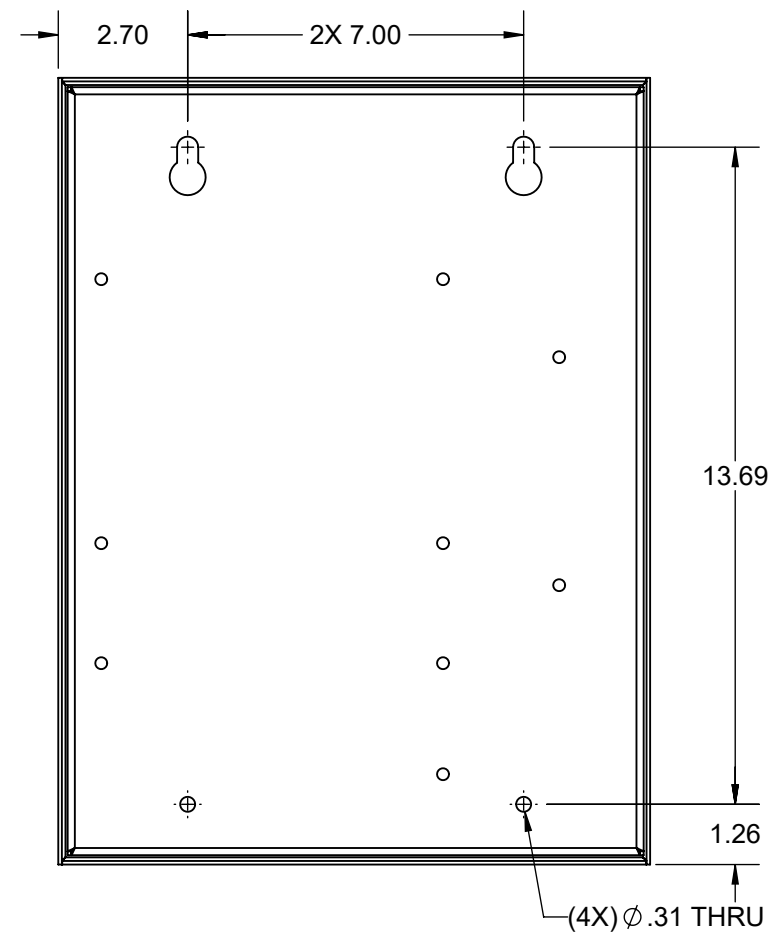
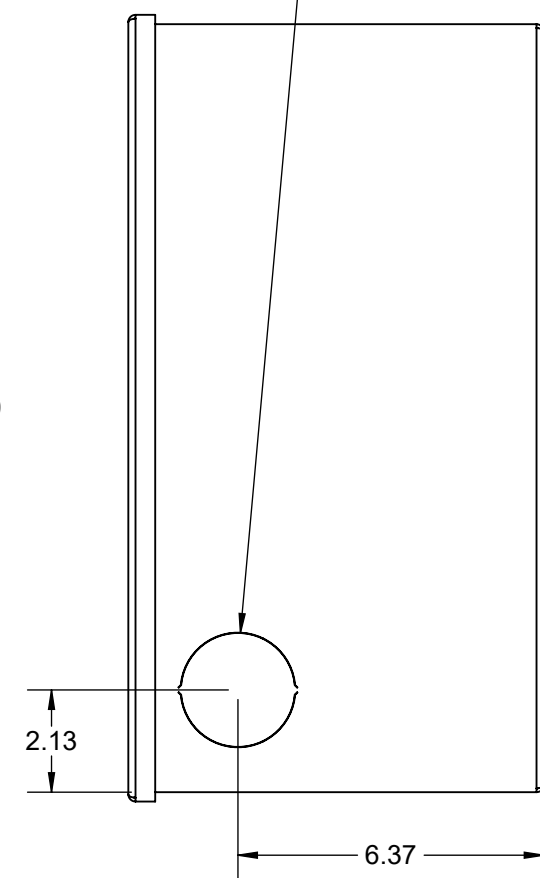
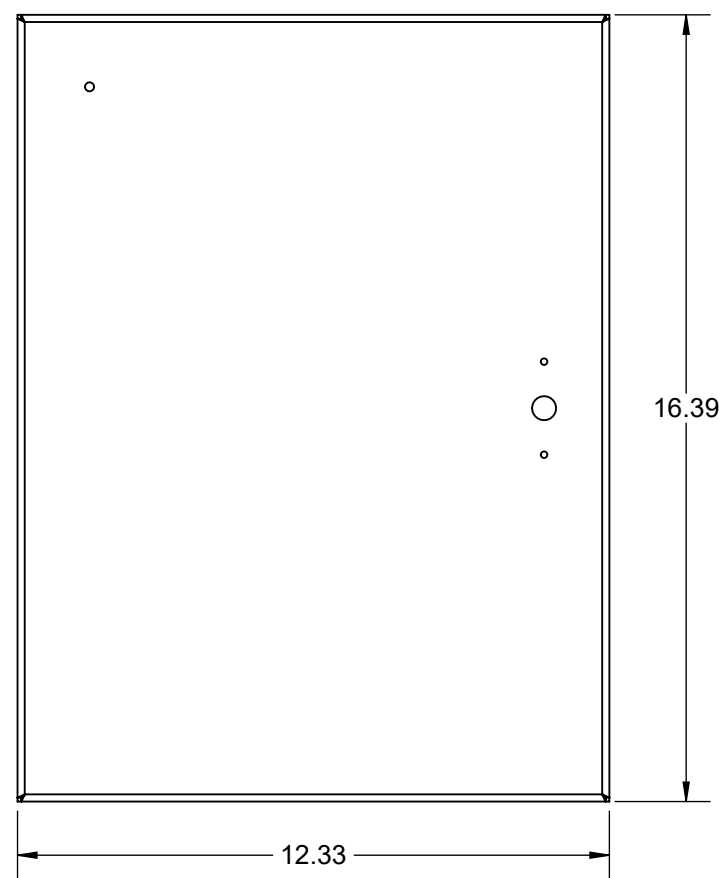
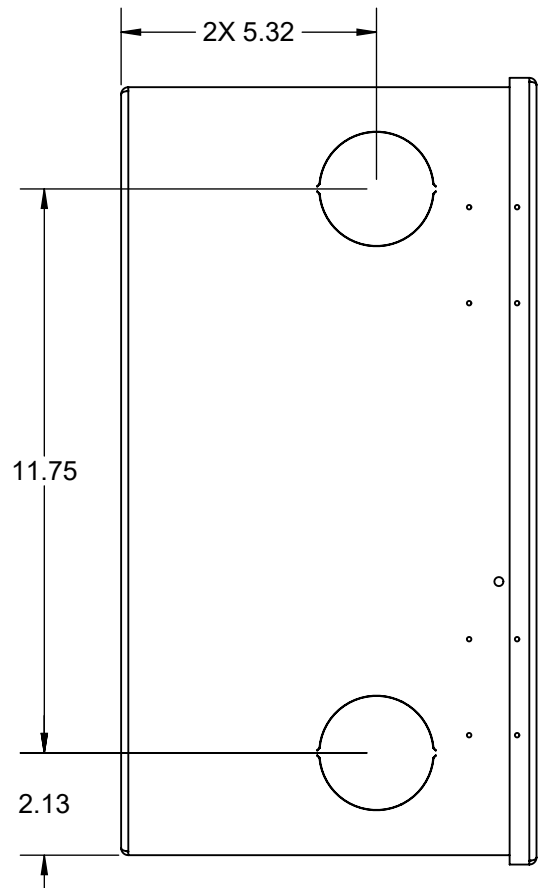



DCN	REV.	DESCRIPTION	DATE	AUTHOR
108630	A	INITIAL RELEASE	7/25/2024	SLC

NOTES:  
1. FOR REFERENCE ONLY



2" NPT CONDUIT OPENINGS  
3 LOCATIONS



 <b>SENS</b> STORED ENERGY SYSTEMS 1840 INDUSTRIAL CIRCLE LONGMONT, CO 80501 303-478-7500 WWW.SENS-USA.COM <small>PROPRIETARY AND CONFIDENTIAL: THE INFORMATION CONTAINED IN THIS DRAWING IS THE SOLE PROPERTY OF STORED ENERGY SYSTEMS, LLC. ANY REPRODUCTION IN PART OR AS A WHOLE WITHOUT THE WRITTEN PERMISSION OF STORED ENERGY SYSTEMS, LLC. IS PROHIBITED.</small>	UNLESS OTHERWISE SPECIFIED FOR ALL SHEETS: DIMENSIONS ARE IN INCHES. INCHES DO NOT SCALE DRAWING. DEFAULT TOLERANCES: <b>±1/16" ASSEMBLY TOLERANCE</b>	ORIGINAL AUTHOR: SCHAMBERS RELEASE DATE: 7/26/2024 SHEET FORMAT SIZE: B THIRD ANGLE PROJECTION DIMENSIONS & TOLERANCES PER ASME Y14.5 - 2009	PART NUMBER: <b>2DCAD-BBS800-STD</b> DESCRIPTION: <b>BEST BATTERY SELECTOR, 800 AMP DIODES</b>	REVISION: <b>A</b> SHEET: <b>1 OF 1</b>
---	--	--	---	--