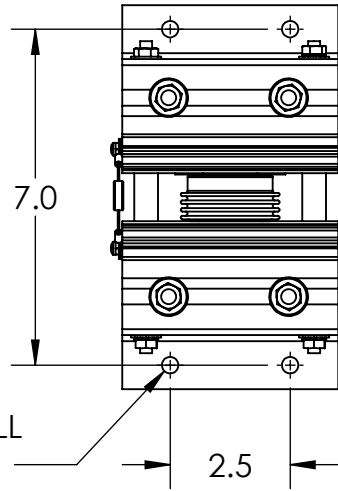


NOTES:

1. ASSEMBLY IS OPEN (NON-ENCLOSED)
2. **CAUTION: HEAT SINKS ARE ENERGIZED DURING USE!**
3. PROTECT PERSONNEL AND EQUIPMENT BY ADDING STURDY SAFETY GUARDS OR ENCLOSURE AND MAINT AT LEAST .50" BETWEEN CONDUCTIVE PARTS OF THIS ASSEMBLY AND ENCLOSURE/GUARDS ADDED IN FIELD
4. ASSEMBLY IS ROHS COMPLIANT

REV	DCN	DESCRIPTION	DATE	AUTHOR
01	108531	INITIAL RELEASE	3/8/2024	MHOLCOMB
02	108531	ADDED "BATTERY" AND "LOAD" NOTES	3/14/2024	MHOLCOMB

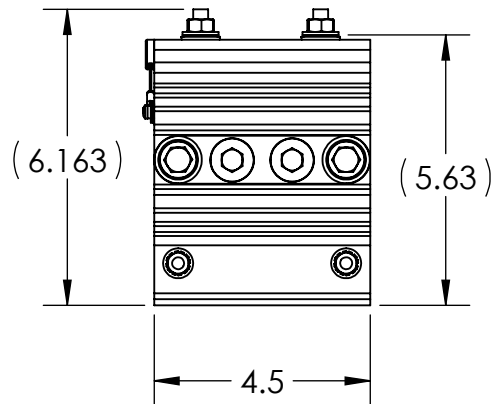
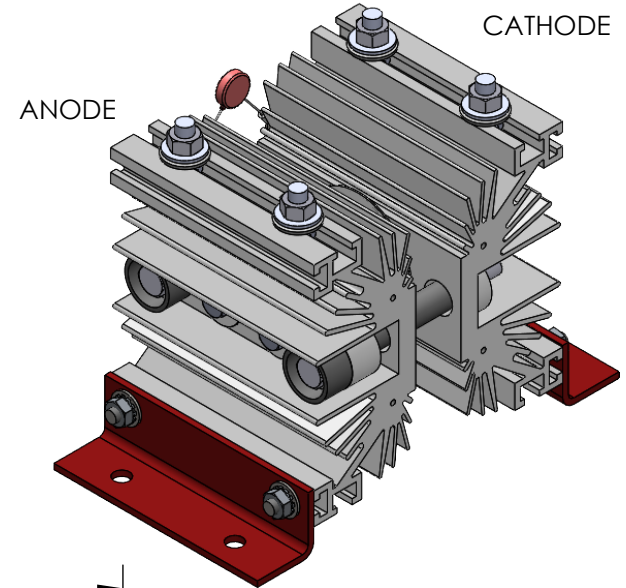
MOUNTING HOLE PATTERN



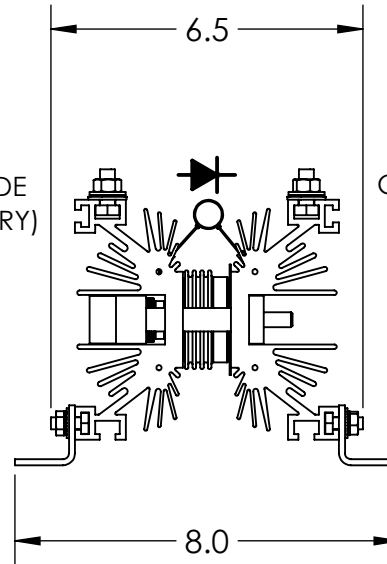
CATHODE (LOAD)



ANODE (BATTERY)



ANODE (BATTERY)



CATHODE (LOAD)



PROPRIETARY AND CONFIDENTIAL: THE INFORMATION CONTAINED IN THIS DRAWING IS THE SOLE PROPERTY OF STORED ENERGY SYSTEMS, LLC. ANY REPRODUCTION IN PART OR AS A WHOLE WITHOUT THE WRITTEN PERMISSION OF STORED ENERGY SYSTEMS, LLC, IS PROHIBITED.

UNLESS OTHERWISE SPECIFIED FOR ALL SHEETS: DIMENSIONS ARE IN INCHES. DO NOT SCALE DRAWING. MOST REVISED ITEMS INDICATED IN BLUE. DEFAULT TOLERANCES:

$\pm 1/16"$  ASSEMBLY TOLERANCE

ORIGINAL AUTHOR:	matthewh
RELEASE DATE:	3/14/2024
SHEET FORMAT SIZE:	A
THIRD ANGLE PROJECTION	
DIMENSIONS & TOLERANCES PER ASME Y14.5 - 2009	

PART NUMBER:	<b>2DCAD-BBS800S-STD</b>
DESCRIPTION:	2DCAD,BBS-800S,STANDARD

REVISION:	<b>02</b>
SHEET:	<b>1 OF 1</b>