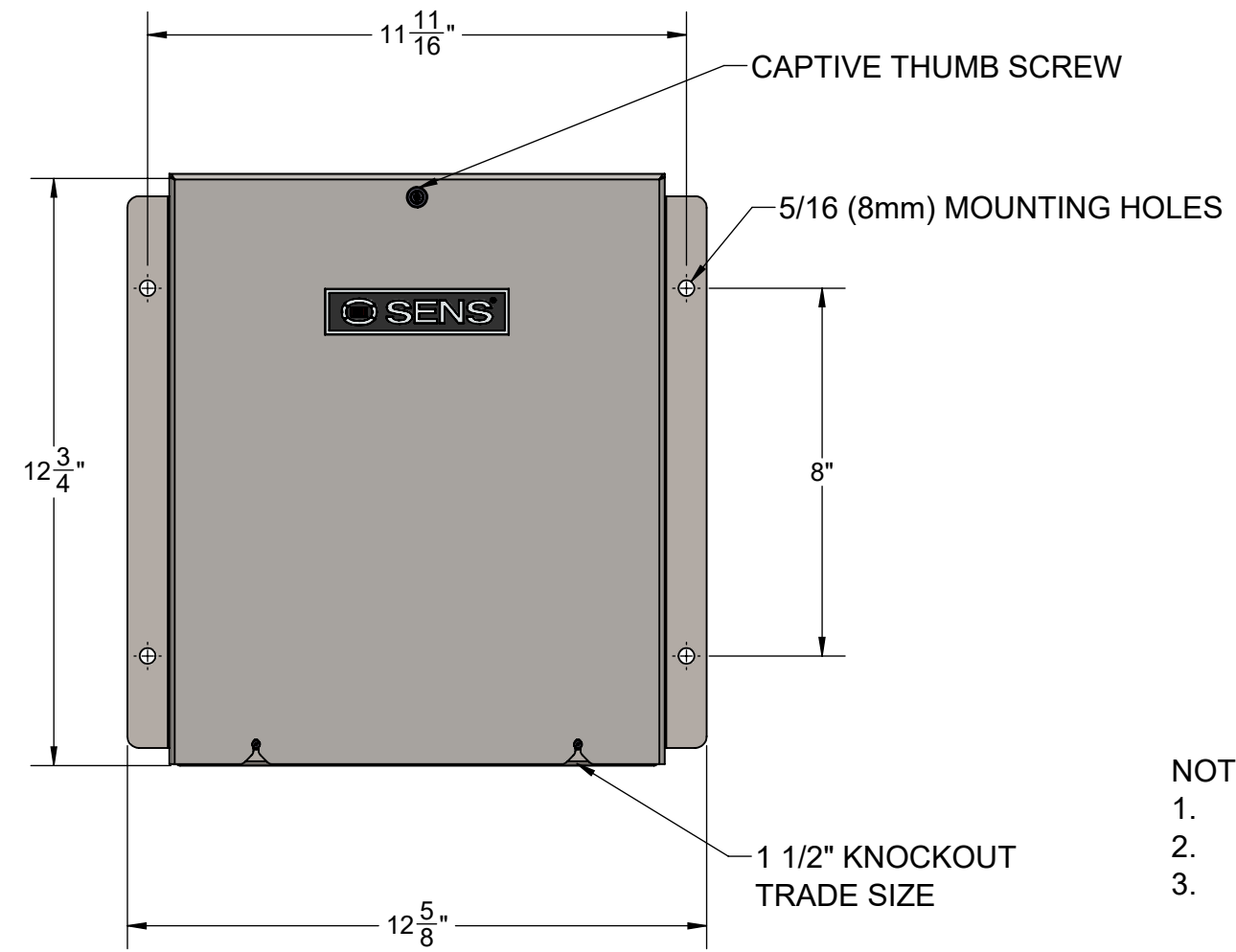
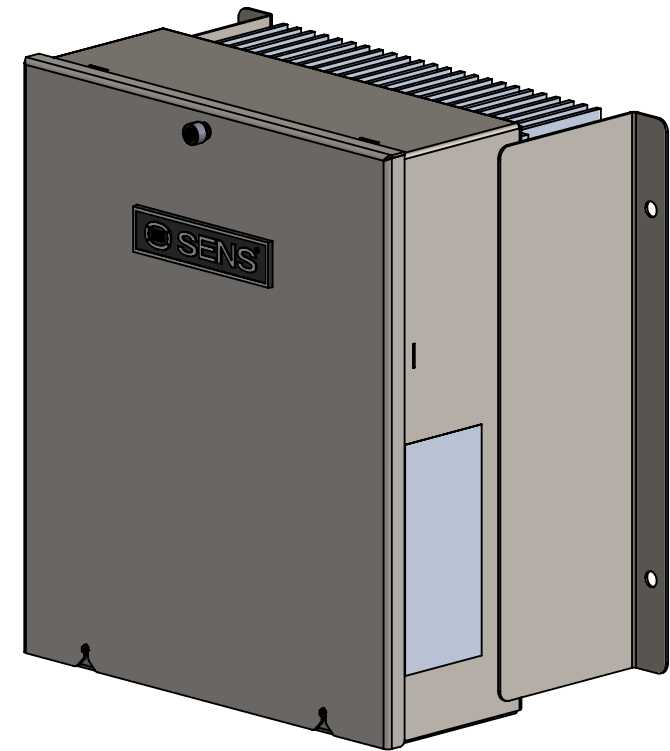
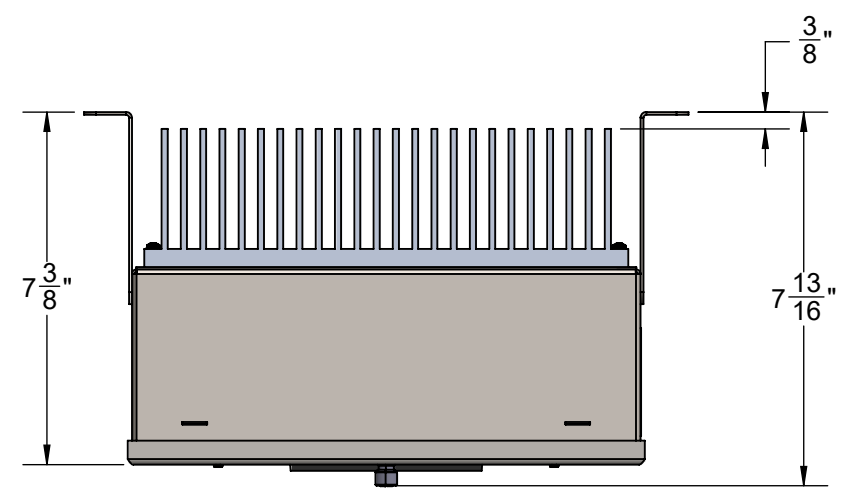

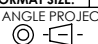


| DCN | REV. | DESCRIPTION | DATE | AUTHOR |
|--------|------|-----------------------------|-----------|-----------|
| 108542 | 01 | INITIAL RELEASE | 3/13/2024 | SCHAMBERS |
| 108701 | 02 | ADDED DOT TO WIRING DIAGRAM | 9/10/2024 | LMARCOON |



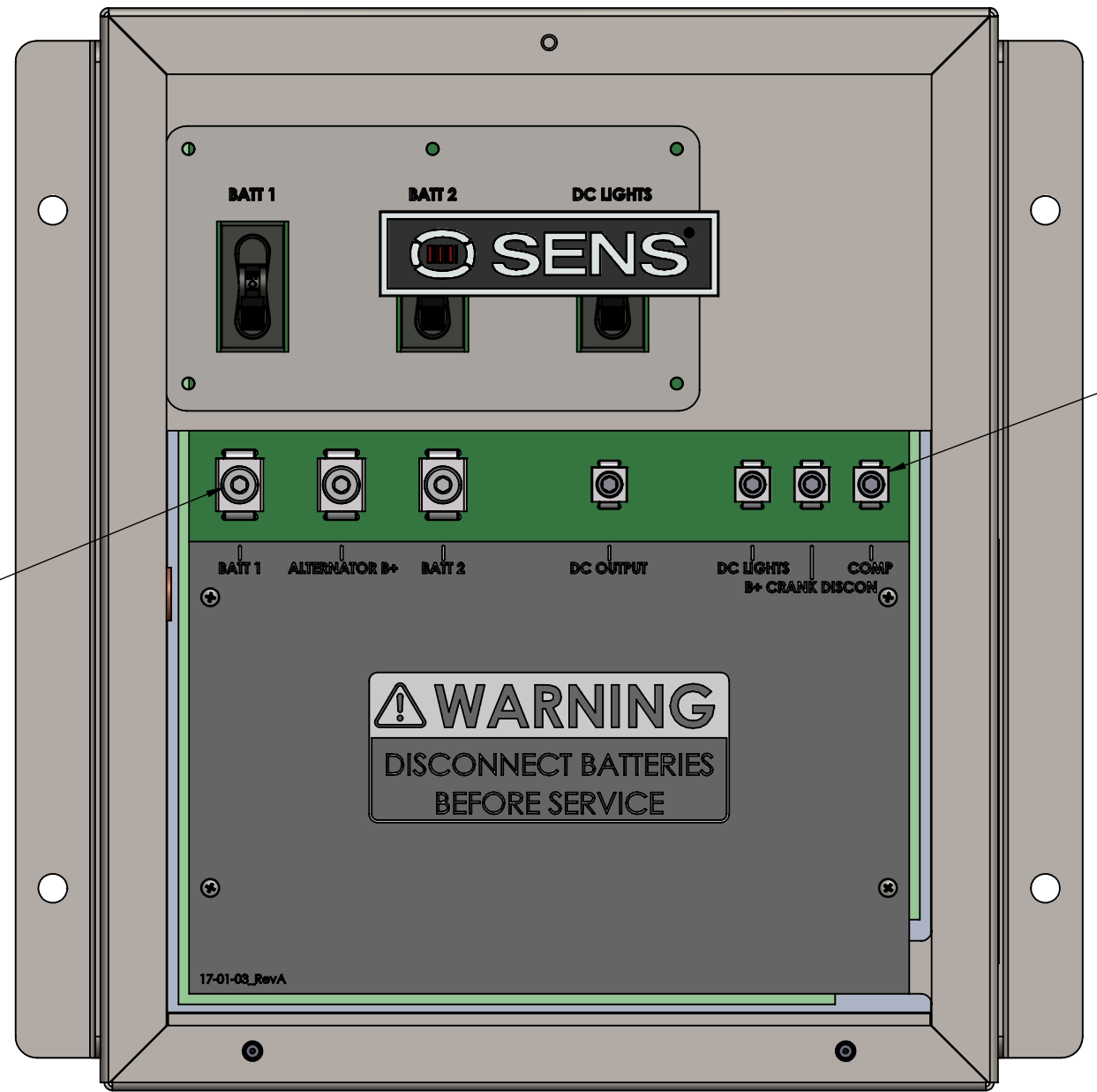
- NOTES:
- ANSI 61 GRAY POWDER COATED STEEL CONSTRUCTION
 - TOOL FREE ACCESS COVER
 - ESTIMATED WEIGHT: 25LBS

| | | | | |
|---|---|---|--|---|
|  SENS STORED ENERGY SYSTEMS 1840 INDUSTRIAL CIRCLE LONGMONT, CO 80501 303-678-7500 WWW.SENS-USA.COM <small>PROPRIETARY AND CONFIDENTIAL: THE INFORMATION CONTAINED IN THIS DRAWING IS THE SOLE PROPERTY OF STORED ENERGY SYSTEMS, LLC. ANY REPRODUCTION IN PART OR AS A WHOLE WITHOUT THE WRITTEN PERMISSION OF STORED ENERGY SYSTEMS, LLC. IS PROHIBITED.</small> | UNLESS OTHERWISE SPECIFIED FOR ALL SHEETS: DIMENSIONS ARE IN INCHES. INCHES DO NOT SCALE DRAWING. DEFAULT TOLERANCES: ±1/16" ASSEMBLY TOLERANCE | ORIGINAL AUTHOR: SCHAMBERS RELEASE DATE: 9/10/2024 SHEET FORMAT SIZE: B THIRD ANGLE PROJECTION  DIMENSIONS & TOLERANCES PER ASME Y14.5 - 2009 | PART NUMBER: 2DCAD-BCS120-STD DESCRIPTION: BATTERY CONTROL ISOLATOR | REVISION: 02 SHEET: 1 OF 4 |
| | UNLESS OTHERWISE SPECIFIED FOR ALL SHEETS: DIMENSIONS ARE IN INCHES. INCHES DO NOT SCALE DRAWING. DEFAULT TOLERANCES: ±1/16" ASSEMBLY TOLERANCE | | PART NUMBER: 2DCAD-BCS120-STD DESCRIPTION: BATTERY CONTROL ISOLATOR | REVISION: 02 SHEET: 1 OF 4 |
| | UNLESS OTHERWISE SPECIFIED FOR ALL SHEETS: DIMENSIONS ARE IN INCHES. INCHES DO NOT SCALE DRAWING. DEFAULT TOLERANCES: ±1/16" ASSEMBLY TOLERANCE | | PART NUMBER: 2DCAD-BCS120-STD DESCRIPTION: BATTERY CONTROL ISOLATOR | REVISION: 02 SHEET: 1 OF 4 |

8 7 6 5 4 3 2 1

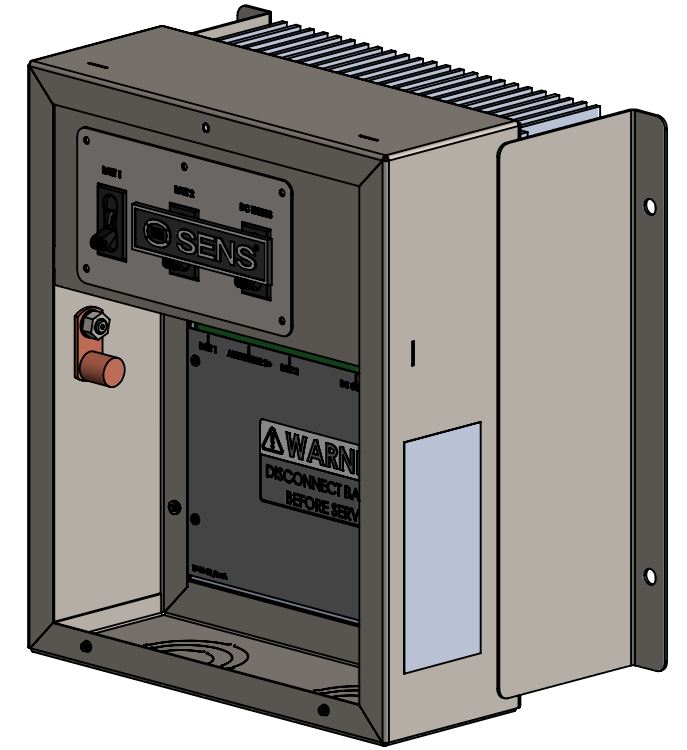
D
C
B
A

D
C
B
A



(3X) 1/0-8 AWG CABLE LUGS

(4X) 2-14 AWG CABLE LUGS



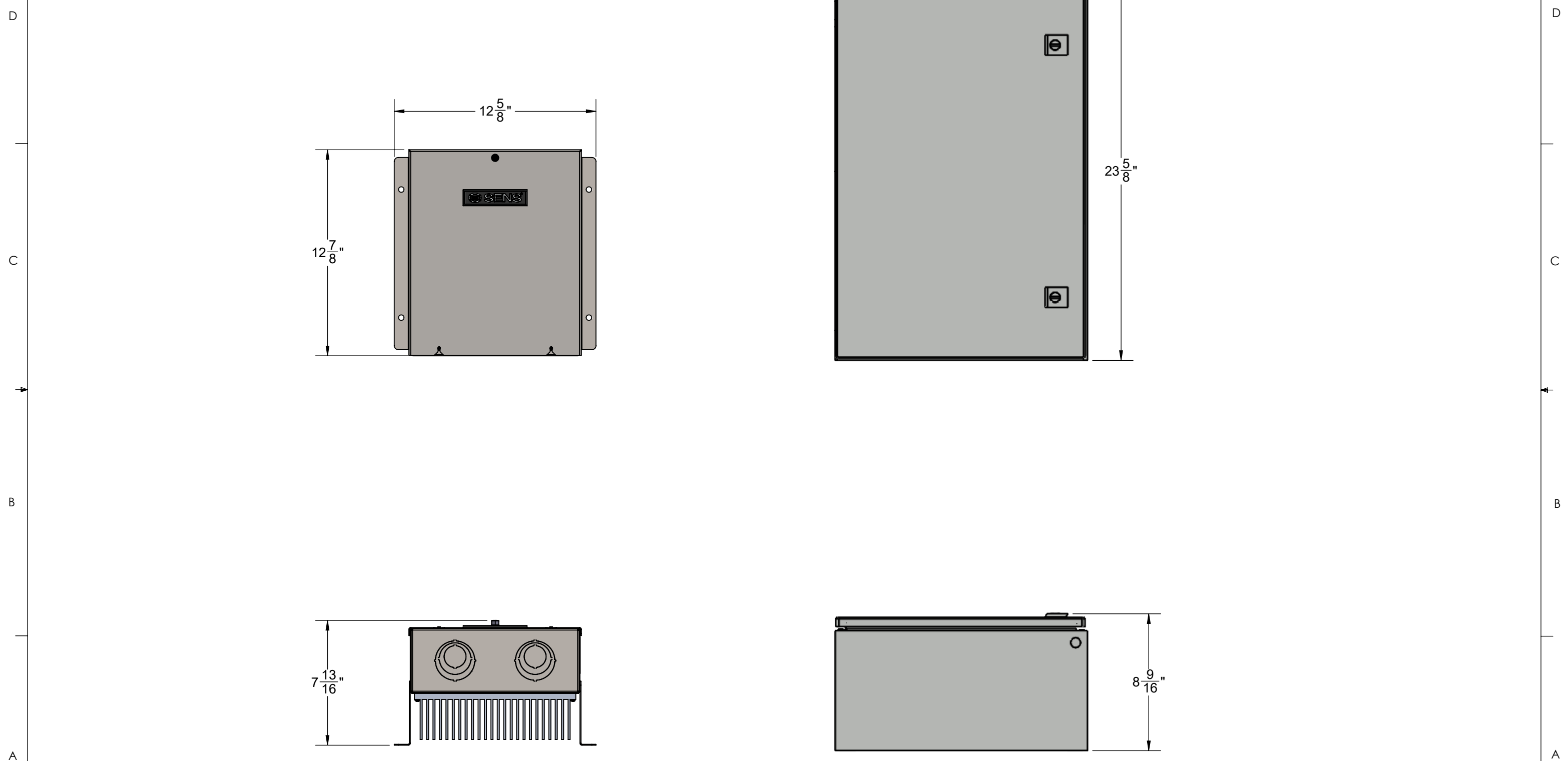
SPECIFICATIONS:


1. NOMINAL VOLTAGE: 12VDC & 24VDC
2. MAX ALTERNATOR CURRENT: 120A
3. MAX CONTINUOUS BATTERY OUTPUT CURRENT: 80A
4. NUMBER OF BATTERY BANKS: 2

| | | | | |
|--|--|---|---|--|
| <p>SENS STORED ENERGY SYSTEMS 1840 INDUSTRIAL CIRCLE LONGMONT, CO 80501 303-678-7500 WWW.SENS-USA.COM</p> <p><small>PROPRIETARY AND CONFIDENTIAL: THE INFORMATION CONTAINED IN THIS DRAWING IS THE SOLE PROPERTY OF STORED ENERGY SYSTEMS, LLC. ANY REPRODUCTION IN PART OR AS A WHOLE WITHOUT THE WRITTEN PERMISSION OF STORED ENERGY SYSTEMS, LLC, IS PROHIBITED.</small></p> | <p>UNLESS OTHERWISE SPECIFIED FOR ALL SHEETS: DIMENSIONS ARE IN INCHES. INCHES DO NOT SCALE DRAWING. DEFAULT TOLERANCES:</p> <p>±1/16" ASSEMBLY TOLERANCE</p> | <p>ORIGINAL AUTHOR: SCHAMBERS</p> <p>RELEASE DATE: 9/10/2024</p> <p>SHEET FORMAT SIZE: B</p> <p>THIRD ANGLE PROJECTION</p> <p>DIMENSIONS & TOLERANCES PER ASME Y14.5 - 2009</p> | <p>PART NUMBER: 2DCAD-BCS120-STD</p> <p>DESCRIPTION: BATTERY CONTROL ISOLATOR</p> | <p>REVISION: 02</p> <p>SHEET: 2 OF 4</p> |
| | | | | |
| | | | | |

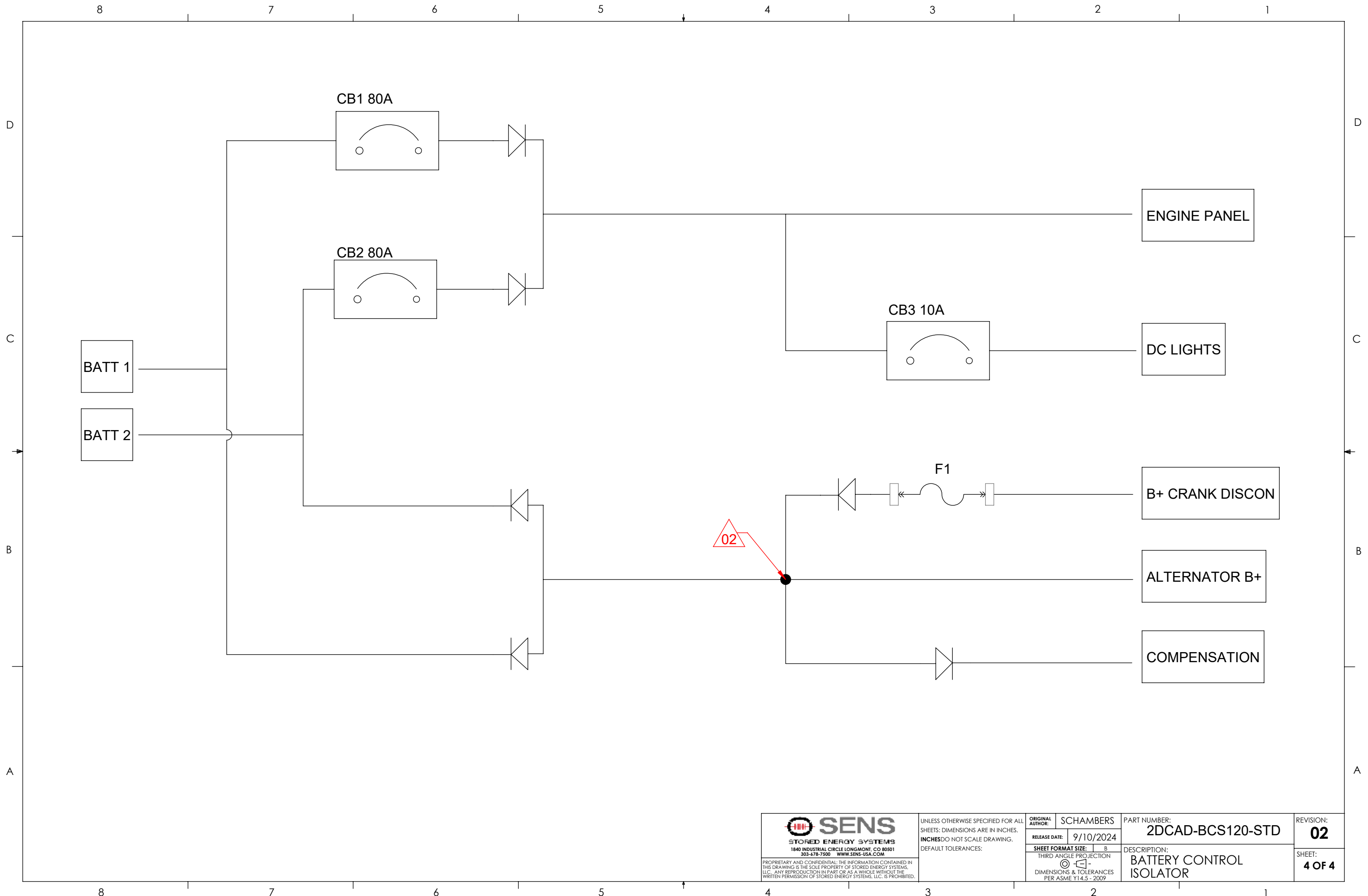
8 7 6 5 4 3 2 1

8 7 6 5 4 3 2 1



| | | | | |
|--|---|---|---|--|
|  <p>SENS STORIED ENERGY SYSTEMS 1840 INDUSTRIAL CIRCLE LONGMONT, CO 80501 303-678-7500 WWW.SENS-USA.COM</p> <p>PROPRIETARY AND CONFIDENTIAL: THE INFORMATION CONTAINED IN THIS DRAWING IS THE SOLE PROPERTY OF STORED ENERGY SYSTEMS, LLC. ANY REPRODUCTION IN PART OR AS A WHOLE WITHOUT THE WRITTEN PERMISSION OF STORED ENERGY SYSTEMS, LLC, IS PROHIBITED.</p> | <p>UNLESS OTHERWISE SPECIFIED FOR ALL SHEETS: DIMENSIONS ARE IN INCHES. INCHES DO NOT SCALE DRAWING. DEFAULT TOLERANCES: ±1/16" ASSEMBLY TOLERANCE</p> | <p>ORIGINAL AUTHOR: SCHAMBERS RELEASE DATE: 9/10/2024 SHEET FORMAT SIZE: B THIRD ANGLE PROJECTION DIMENSIONS & TOLERANCES PER ASME Y14.5 - 2009</p> | <p>PART NUMBER: 2DCAD-BCS120-STD</p> <p>DESCRIPTION: BATTERY CONTROL ISOLATOR</p> | <p>REVISION: 02</p> <p>SHEET: 3 OF 4</p> |
|--|---|---|---|--|

8 7 6 5 4 3 2 1



BATT 1

BATT 2

CB1 80A

CB2 80A

CB3 10A

F1

ENGINE PANEL

DC LIGHTS

B+ CRANK DISCON

ALTERNATOR B+

COMPENSATION

SENS
STORED ENERGY SYSTEMS
 1840 INDUSTRIAL CIRCLE LONGMONT, CO 80501
 303-678-7500 WWW.SENS-USA.COM

UNLESS OTHERWISE SPECIFIED FOR ALL SHEETS: DIMENSIONS ARE IN INCHES. INCHES DO NOT SCALE DRAWING. DEFAULT TOLERANCES:

ORIGINAL AUTHOR: SCHAMBERS
 RELEASE DATE: 9/10/2024
 SHEET FORMAT SIZE: B
 THIRD ANGLE PROJECTION
 DIMENSIONS & TOLERANCES PER ASME Y14.5 - 2009

PART NUMBER: 2DCAD-BCS120-STD
 DESCRIPTION: BATTERY CONTROL ISOLATOR

REVISION: 02
 SHEET: 4 OF 4