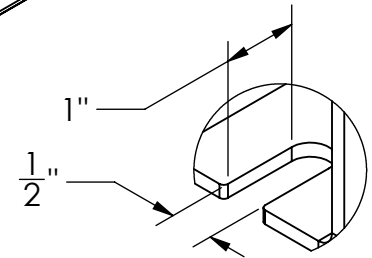
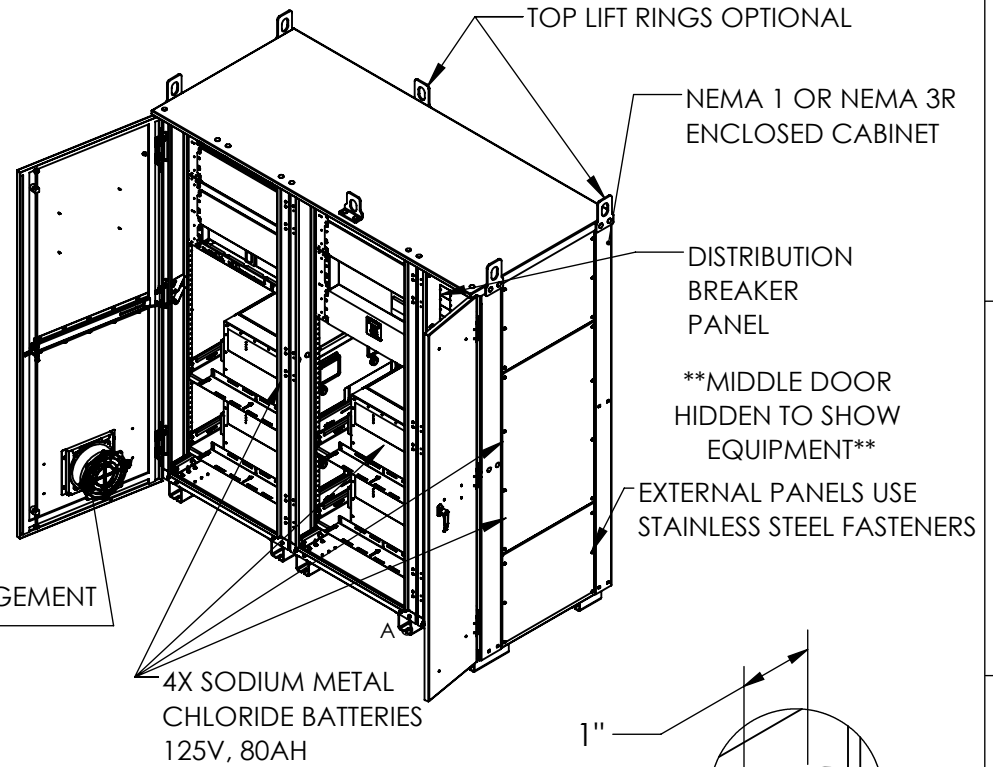
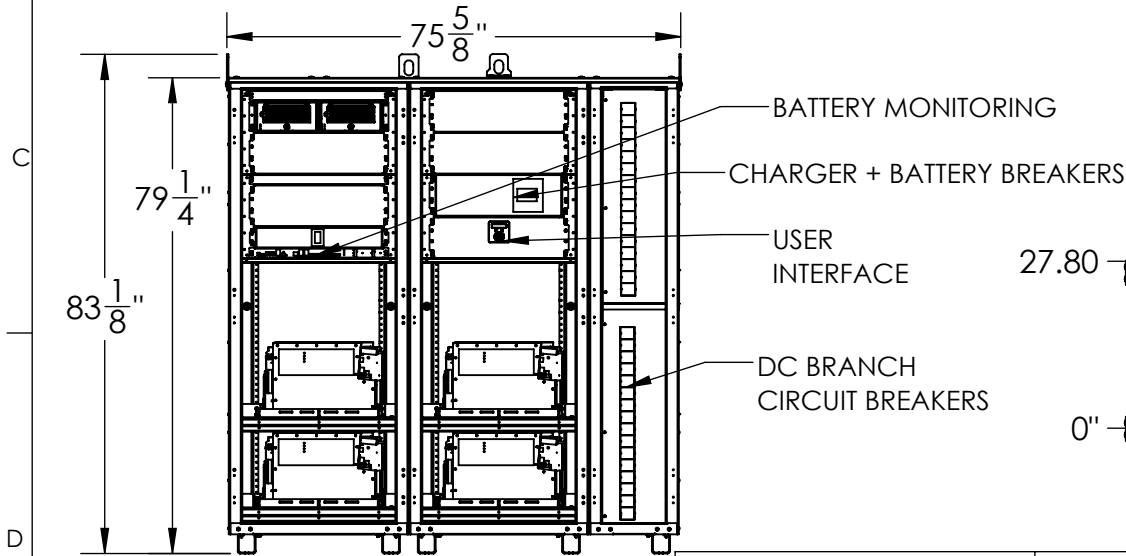
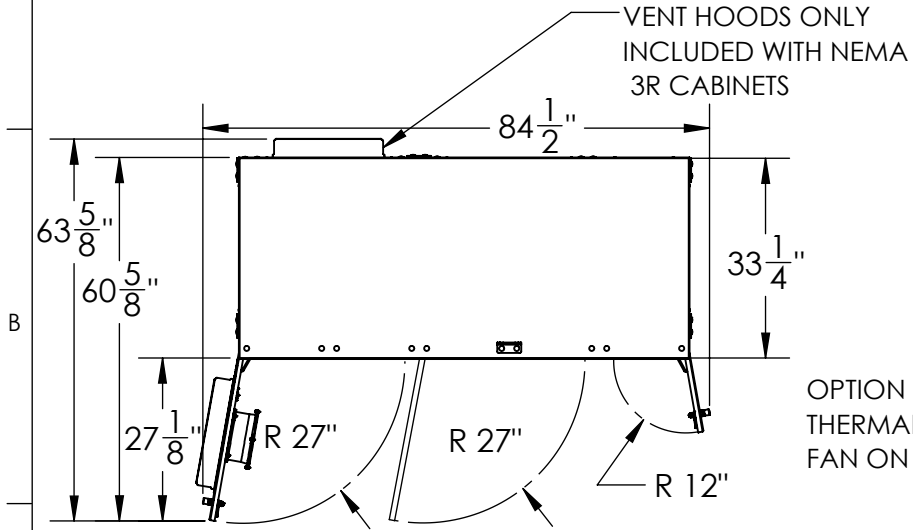
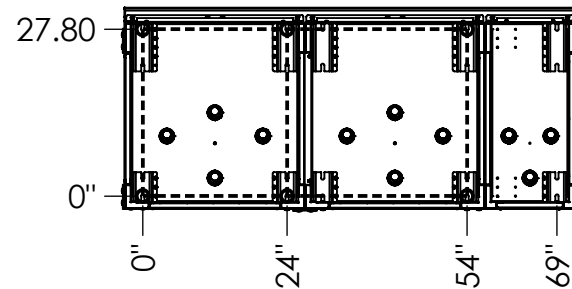


- HEIGHT AND WEIGHT OF SYSTEM MAY VARY, SEE SPECIFIC SYSTEM DETAILS.
- TCP/IP (TRANSMISSION CONTROL PROTOCOL/INTERNET PROTOCOL) USES AN RJ-45 PORT TO ALLOW REMOTE UPDATES.
- DOORS HAVE LOCKING LATCHES
- LIFTING ACCOMPLISHED BY FORKLIFT OR PALLET JACK, OR BY LIFTING RINGS IF INSTALLED
- ANCHORING REQUIRES QTY 4 MIN. 1/2 INCH ANCHORS INTO CONCRETE OR STEEL
- MATERIALS POWDER COATED GALVANNEAL FOR CORROSION RESISTANCE - COLOR ANSI 61 GREY.
- PANELS CAN BE REMOVED TO ADD HOLES FOR CONDUIT FITTINGS, SECURITY BIT NEEDED/INCLUDED TO REMOVE PANELS.

REV	DCN	DESCRIPTION	DATE	AUTHOR
A	108773	INITIAL RELEASE	11/15/2024	LMARCOON



ANCHOR MOUNTING PATTERN



PROPRIETARY AND CONFIDENTIAL: THE INFORMATION CONTAINED IN THIS DRAWING IS THE SOLE PROPERTY OF STORED ENERGY SYSTEMS, LLC. ANY REPRODUCTION IN PART OR AS A WHOLE WITHOUT THE WRITTEN PERMISSION OF STORED ENERGY SYSTEMS, LLC. IS PROHIBITED.

UNLESS OTHERWISE SPECIFIED, FOR ALL SHEETS: DIMENSIONS ARE IN INCHES. DO NOT SCALE DRAWING. MOST REVISED ITEMS INDICATED IN BLUE.
 DEFAULT TOLERANCES:
±1/16" ASSEMBLY TOLERANCE

PART NUMBER:
2DCAD-PC2-FFH-SALT

SHEET FORMAT SIZE: A
 THIRD ANGLE PROJECTION
 DIMENSIONS & TOLERANCES PER ASME Y14.5 - 2009

DESCRIPTION:
F/F/H CABINET WITH 4 SALT BATTERIES, 2 CHARGERS

REVISION:
A
 SHEET:
1 OF 1